



Date: \_\_\_\_\_ Type: \_\_\_\_\_

Firm Name: \_\_\_\_\_

Project: \_\_\_\_\_

# eW Cove EC Powercore

## 2700 K

Cost-effective linear interior LED cove and accent fixture with solid white light

eW Cove EC Powercore is a dimmable, linear LED fixture that provides an affordable, energy-efficient alternative to traditional cove lighting in applications requiring white light. With its low profile, rotating housing and flexible end-to-end locking power connectors, eW Cove EC Powercore is the perfect choice for a wide range of interior retail, exhibit, hospitality, and architectural settings.

- Integrates patented Powercore technology — Powercore rapidly, efficiently, and accurately controls power output to fixtures directly from line voltage, eliminating the need for an

external power supply. Contractor-friendly installation dramatically simplifies installation and lowers total system cost.

- Dimming capability — Patented DIMand technology offers smooth dimming capability with selected commercially available reverse-phase ELV-type dimmers.

For detailed product information, please refer to the eW Cove EC Powercore Product Guide at [www.philipscolorkinetics.com/ls/essentialwhite/ewcoveecpc/](http://www.philipscolorkinetics.com/ls/essentialwhite/ewcoveecpc/)

### Specifications

Due to continuous improvements and innovations, specifications may change without notice.

Item	Specification	6 in (152 mm) 2700 K*, 110° x 110° Beam Angle	12 in (305 mm) 2700 K*, 110° x 110° Beam Angle
Output	Lumens†	38	140
	Efficacy (lm / W)	31.7	45.0
	CRI	83	82
	Lumen Maintenance‡	70,000 hours L70 @ 25° C 50,000 hours L70 @ 50° C	90,000 hours L50 @ 25° C 70,000 hours L50 @ 50° C
Electrical	Input Voltage	100 / 120 / 220 – 240 VAC, auto-switching, 50 / 60 Hz	
	Power Consumption	1.5 W maximum at full output, steady state	3.0 W maximum at full output, steady state
	Power Factor	.96 @ 120 VAC	
Control	Dimming	Compatible with selected with selected commercially available reverse-phase ELV-type dimmers§	
Physical	Dimensions (Height x Width x Depth)	1.25 x 6 x 1.4 in (32 x 152 x 35 mm)	1.25 x 12 x 1.4 in (32 x 305 x 35 mm)
	Weight	0.19 lbs (85 g)	0.31 lbs (142 g)
	Housing	Injection-molded plastic, dark-gray finish	
	Lens	Clear polycarbonate	
	Fixture Connections	Integral male / female connectors	
	Temperature Ranges	-4° – 122° F (-20° – 50° C) Operating -4° – 122° F (-20° – 50° C) Startup -40° – 176° F (-40° – 80° C) Storage	
	Humidity	0 – 95%, non-condensing	
Certification and Safety	Certification	UL / cUL, FCC Class B, CE, CCC, C-Tick, SAA	
	Environment	Dry Location, IP20	
	Energy Efficiency	California Title 24 Compliant	

\* Color temperatures conform to nominal CCTs as defined in ANSI Chromaticity Standard C78.377A.

† Lumen measurement complies with IES LM-79-08 testing procedures.

‡ L70 = 70% lumen maintenance (when light output drops below 70% of initial output). L50 = 50% lumen maintenance (when light output drops below 50% of initial output). Ambient luminaire temperatures specified. Lumen maintenance calculations are based on lifetime prediction graphs supplied by LED source manufacturers. Calculations for white-light LED fixtures are based on measurements that comply with IES LM-80-08 testing procedures. Refer to [www.philipscolorkinetics.com/support/appnotes/lm-80-08.pdf](http://www.philipscolorkinetics.com/support/appnotes/lm-80-08.pdf) for more information.

§ Refer to [www.philipscolorkinetics.com/support/appnotes/](http://www.philipscolorkinetics.com/support/appnotes/) for specific details.



# PHILIPS

## Fixtures

Item	Type	Size	Item Number	Philips 12NC
eW Cove EC Powercore, 100 VAC	2700 K	6 in (152 mm)	523-000005-61	910503701061
		12 in (305 mm)	523-000004-61	910503701045
	4000 K	6 in (152 mm)	523-000005-67	910503701067
		12 in (305 mm)	523-000004-73	910503701057
eW Cove EC Powercore, 120 VAC	2700 K	6 in (152 mm)	523-000005-60	910503701060
		12 in (305 mm)	523-000004-60	910503701044
	4000 K	6 in (152 mm)	523-000005-66	910503701066
		12 in (305 mm)	523-000004-72	910503701056
eW Cove EC Powercore, 220 – 240 VAC / CE	2700 K	12 in (305 mm)	523-000004-62	910503701046
	4000 K	12 in (305 mm)	523-000004-74	910503701058
eW Cove EC Powercore, 220 – 240 VAC / CCC	2700 K	12 in (305 mm)	523-000004-76	910503701672
	4000 K	12 in (305 mm)	523-000004-77	910503701673
eW Cove EC Powercore, 220 – 240 VAC / CE / CCC	2700 K	6 in (152 mm)	523-000005-68	910503704243
	4000 K	6 in (152 mm)	523-000005-69	910503704244
eW Cove EC Powercore, 220 – 240 VAC / CE	2700 K	12 in (305 mm)	523-000004-63	910503701047
	4000 K	12 in (305 mm)	523-000004-75	910503701059

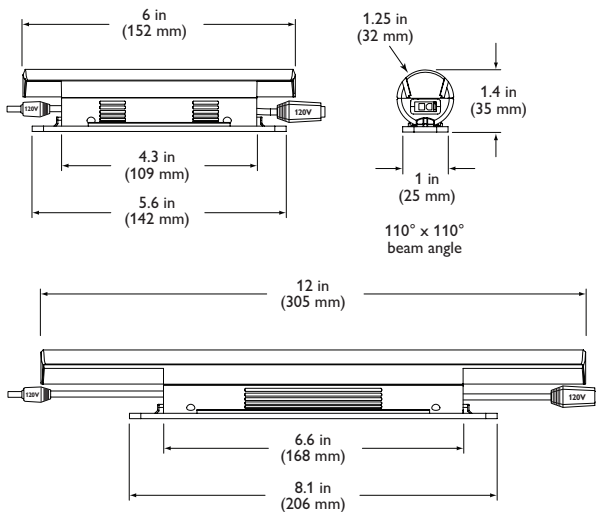
Fixture and 10 ft (3 m) Leader Cable with terminator

Use Item Number when ordering in North America.

## Accessories

Item	Type	Size	Item Number	Philips 12NC
Leader Cable with terminator and strain relief	UL / cUL	10 ft (3 m)	108-000032-00	910503700586
	CE	10 ft (3 m)	108-000032-02	910403325901
Wiring Compartment with terminator	UL / cUL		120-000076-00	910503700597
Leader Cable with plug	UL / cUL	8 ft (2.4 m)	108-000032-03	910503700394
	UL / cUL	1 ft (305 mm)	108-000033-00	910403600101
Jumper Cable	UL / cUL	5 ft (1.5 m)	108-000033-01	910403600102
		CE	1 ft (305 mm)	108-000033-02
	CE	5 ft (1.5 m)	108-000033-03	910403326101
Mounting Track		4 ft (1219 mm)	523-000006-01	910503700452

Use Item Number when ordering in North America.

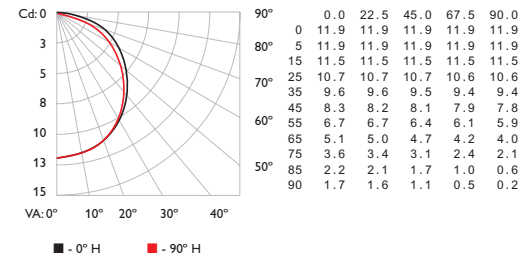


Philips Color Kinetics  
 3 Burlington Woods Drive  
 Burlington, Massachusetts 01803 USA  
 Tel 888.385.5742  
 Tel 617.423.9999  
 Fax 617.423.9998  
 www.philipscolorkinetics.com

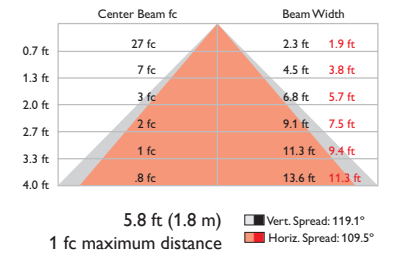
## Photometrics

2700 K, 6 in (152 mm)

### Polar Candela Distribution



### Illuminance at Distance

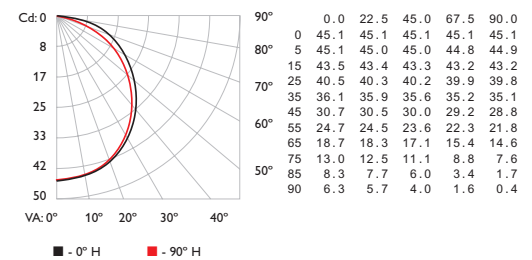


Lumens	38
Efficacy	31.7 lm / W

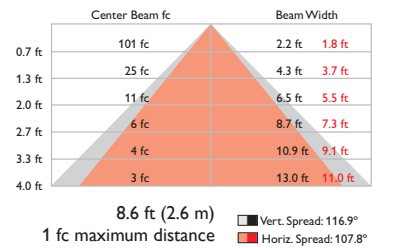
For lux multiply fc by 10.7

2700 K, 12 in (305 mm)

### Polar Candela Distribution



### Illuminance at Distance



Lumens	140
Efficacy	45.0 lm / W

For lux multiply fc by 10.7

Copyright © 2010 – 2013 Philips Solid-State Lighting Solutions, Inc. All rights reserved.  
 Chromacore, Chromasic, CK, the CK logo, Color Kinetics, the Color Kinetics logo, ColorBlast, ColorBlaze, ColorBurst, ColorGraze, ColorPlay, ColorReach, iW Reach, eW Reach, eW Fuse, DIMand, EssentialWhite, eW, iColor, iColor Cove, IntelliWhite, iV, iPlayer, Optibin, and Powercore are either registered trademarks or trademarks of Philips Solid-State Lighting Solutions, Inc. in the United States and / or other countries. All other brand or product names are trademarks or registered trademarks of their respective owners. Due to continuous improvements and innovations, specifications may change without notice.

DAS-000070-07 R00 10-13